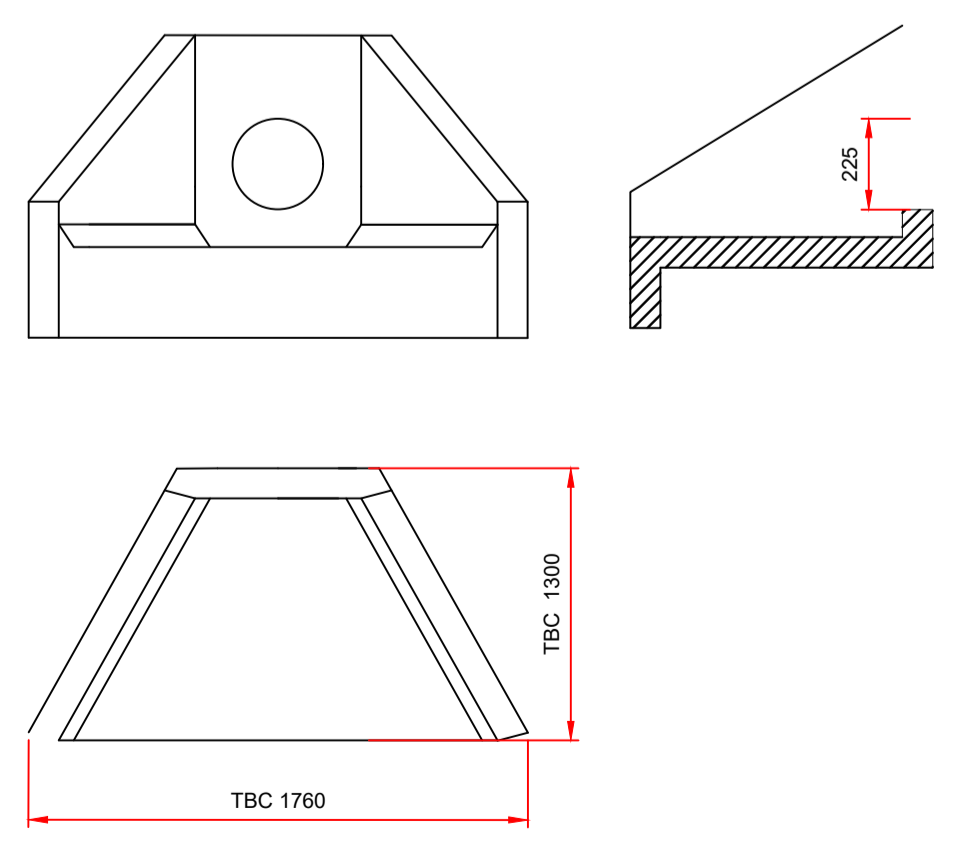
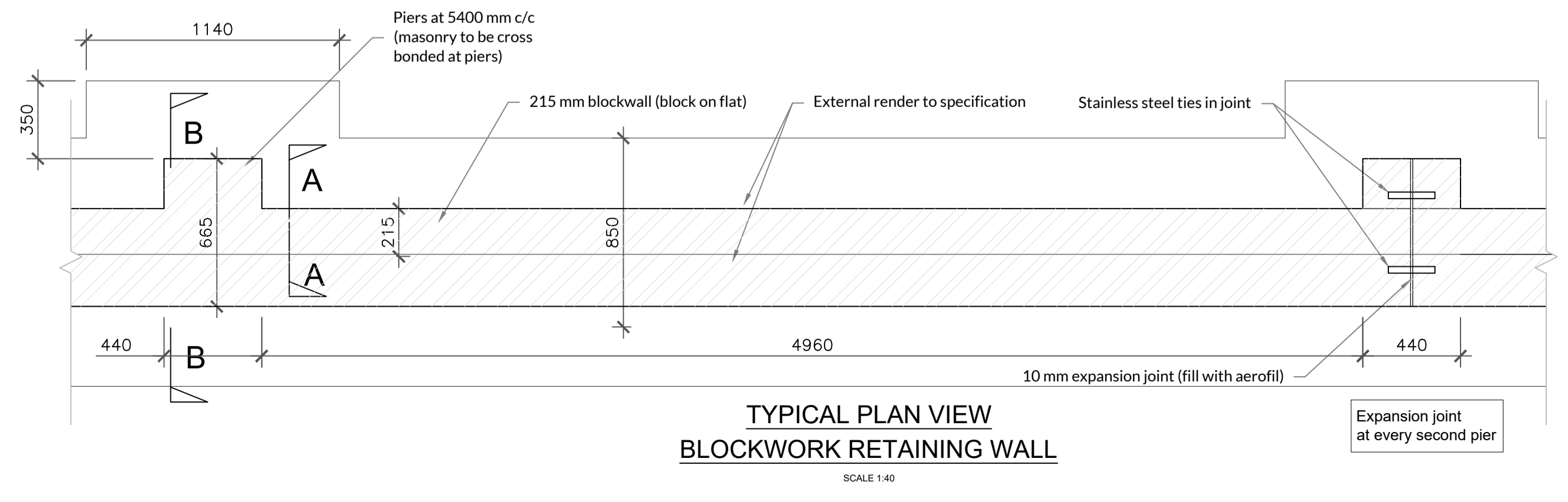
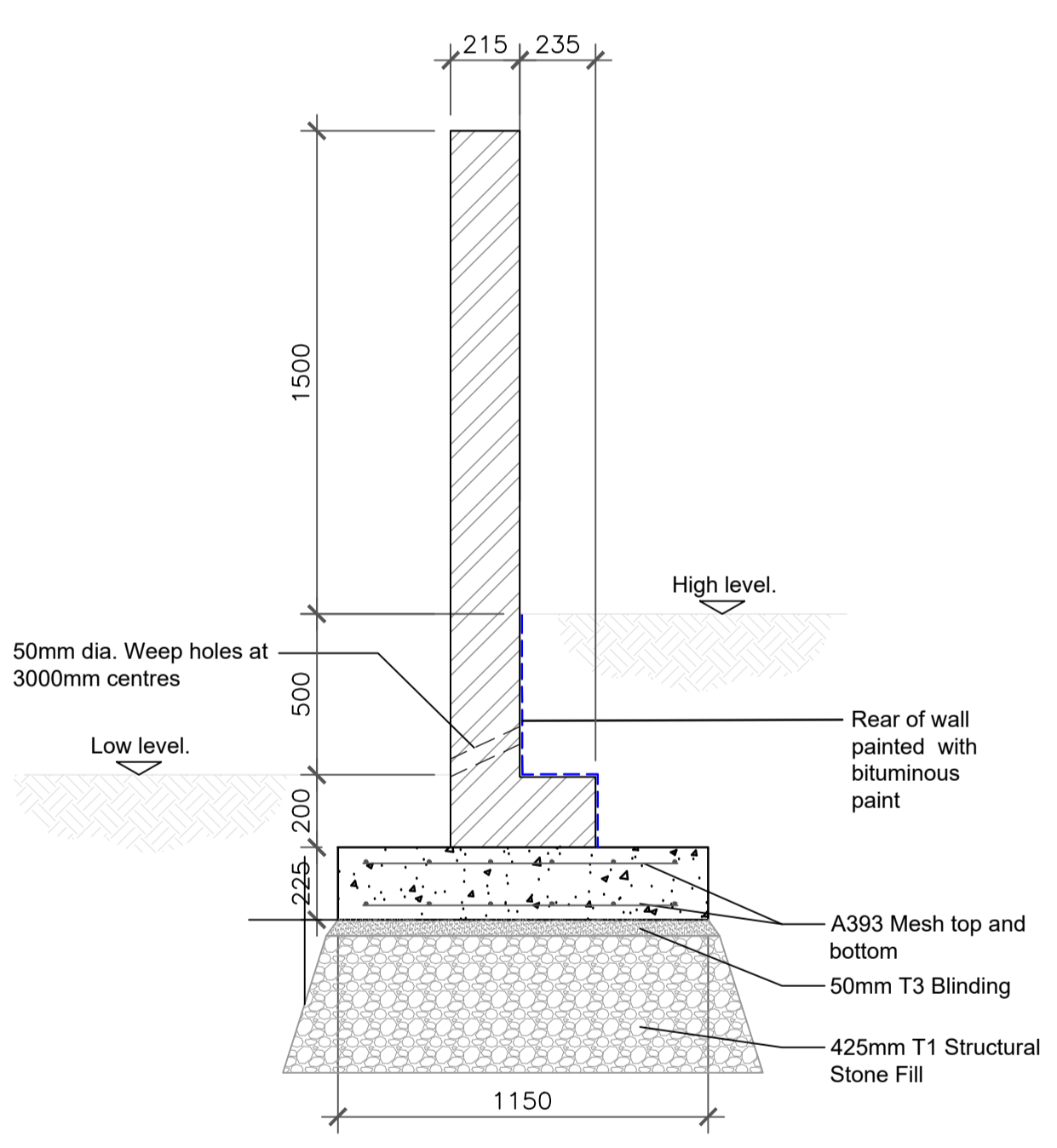
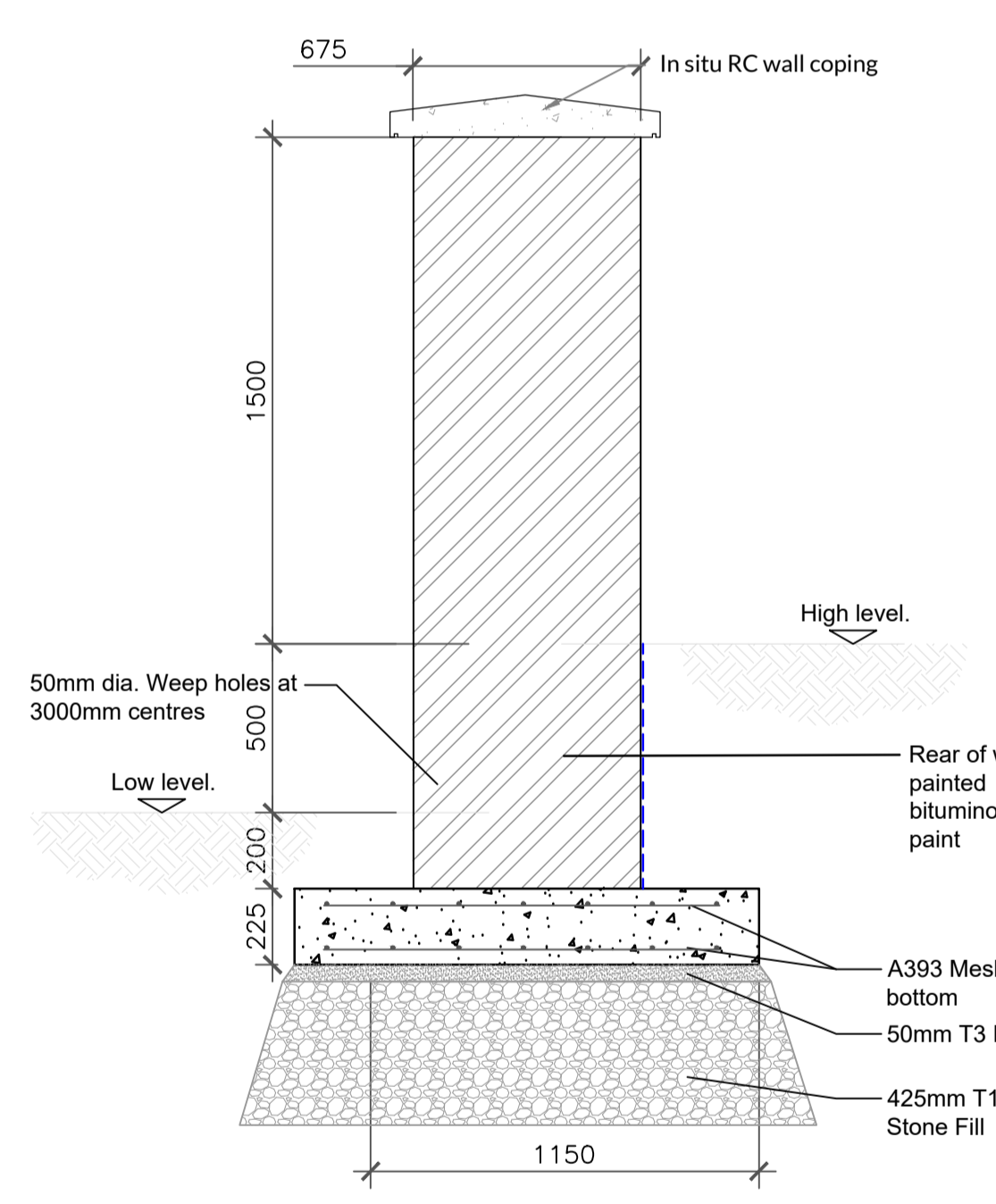
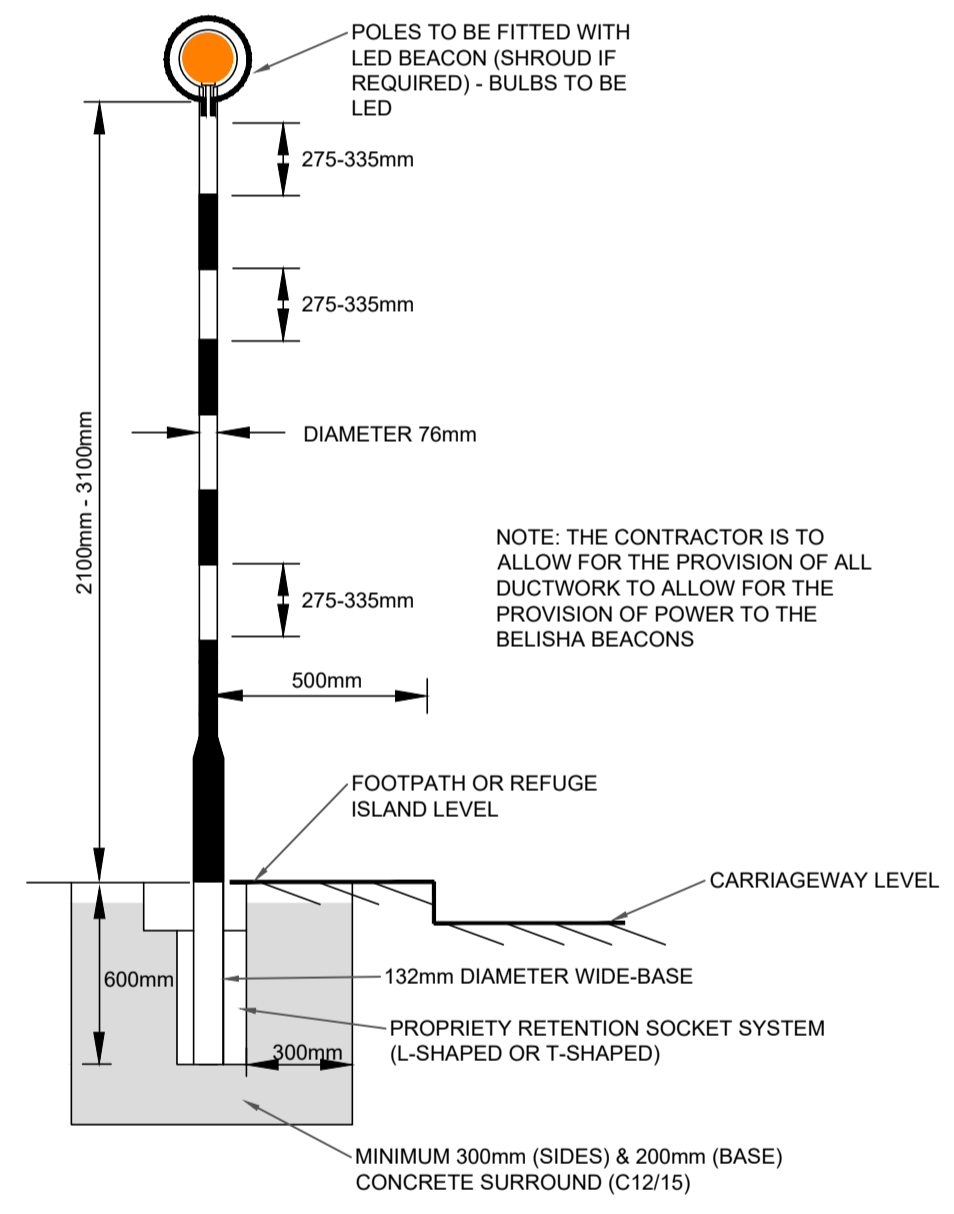


- NOTES:**
- FIGURED DIMENSIONS ONLY TO BE TAKEN FROM THIS DRAWING.
 - ALL DRAWINGS TO BE CHECKED BY THE CONTRACTOR ON SITE
 - ENGINEER/EMPLOYERS REPRESENTATIVE, AS APPROPRIATE, TO BE INFORMED BY THE CONTRACTOR OF ANY DISCREPANCIES BEFORE ANY WORK COMMENCES
 - THE CONTRACTOR SHALL UNDERTAKE A THOROUGH CHECK FOR THE ACTUAL LOCATION OF ALL SERVICES/UTILITIES, ABOVE AND BELOW GROUND, BEFORE ANY WORK COMMENCES
 - ALL LEVELS SHOWN RELATE TO ORDNANCE SURVEY DATUM AT MALIN HEAD

Rev	Date	Description	By	Chkd.
P0	02.07.2025	RSA Issue	AO	SB



Client: **Kilkenny County Council**

Project: **Provision of Infrastructure Delivery for IDA Lands at Belview, Co. Kilkenny**

Title: **Site Development Details Sheet 3 of 3**

Scale @ A1: **As Shown**

Prepared by: **AO** Checked by: **MG** Date: **02.07.2025**

Drawing Status: **Planning**

TOBIN
Tel: +353 (0)91 565 211
Email: info@tobin.ie
www.tobin.ie

Drawing No.: **12001-2023** Revision: **P0**